

## Series B Recessed Medical Gas Wall Outlet Geometric Quick-Connect Key Style

### SPECIFICATION

#### Quick-Connect Medical Gas Wall Outlet

The quick-connect Medical Gas wall outlets shall be gas specific for the services indicated and accept only corresponding Geometric quick-connect adapters. The outlets shall be UL listed, CSA certified, and be fully compliant with the latest edition of NFPA 99. All outlets shall be 100% tested for flow, leaks and connector attachment. The outlets shall be cleaned for oxygen service prior to shipping. The outlets shall be made in the U.S.A. A die cast, light gray, epoxy powder coated trim plate shall be provided to trim each wall/ceiling outlet and to fill the space between adjacent outlets. The trim plate shall allow latch valves to be individually removed for servicing.

#### Outlet Design

A complete medical gas outlet shall consist of a gas-specific rough-in assembly for installation before the wall is finished and a matching gas-specific latch-valve assembly and cover plate for installation after the wall is finished.

#### Rough-in Assembly

The rough-in assembly shall be of modular design and include a gas-specific 16-gauge steel mounting plate designed to permit on-site ganging of multiple outlets, in any order, on 5" centerline spacing. A machined brass outlet block shall be permanently attached to the mounting bracket to permit the 1/2" OD (3/8" nominal), type-K copper inlet tube to swivel 360° for attachment to the piping system.

Gas service identification shall be affixed to the inlet tube and the face of the mounting plate. A secondary valve shall be installed in the outlet block of the rough-in assembly for both pressure testing and preventing gas flow (except vacuum and WAGD) when the latch-valve assembly is removed for service. A 3/8" high metal flange around the outlet opening shall provide a plaster barrier. A temporary cover shall be provided to keep debris out of the outlet during installation. The rough-in assembly shall contain a double seal to prevent gas leakage between the rough-in and latch-valve assemblies after the wall is finished. A single o-ring seal shall not be acceptable.

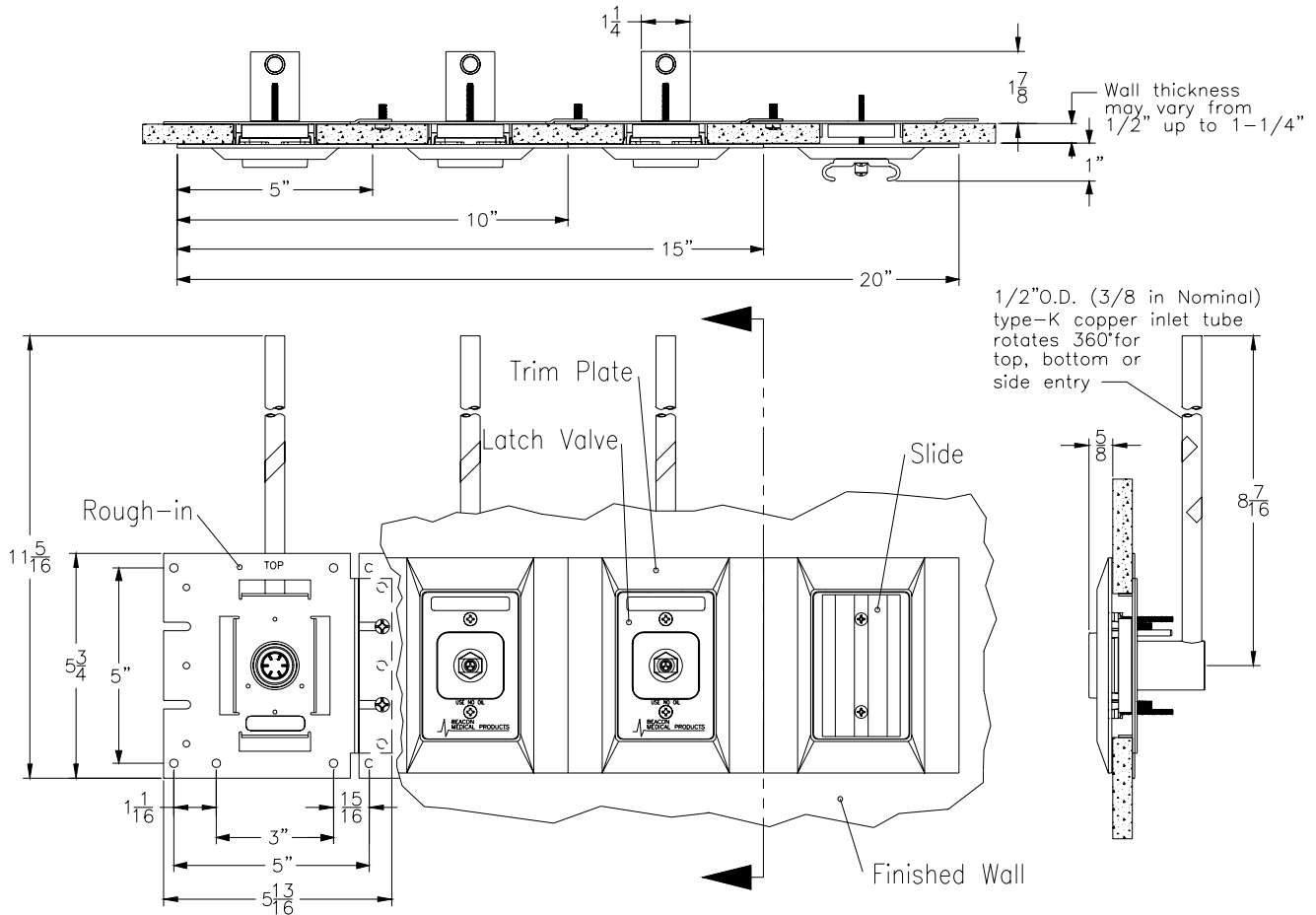
#### Latch Valve Assembly

The latch-valve assembly shall include a single compression seal primary valve, be gas specific for the labeled service, and accept only corresponding geometrically shaped Geometric hose and apparatus adapters. The latch-valve assembly shall be indexed to the corresponding rough-in assembly to avoid accidental cross-connection and shall telescope up to 3/4" to allow for variation in finished wall thickness from 1/2" up to 1-1/4". A metal cover plate insert with permanent, color-coded marking of service identification shall be included as part of the latch-valve assembly. A push button release mechanism, for disconnecting apparatus, shall be accessible from the top, bottom and side of the outlet.

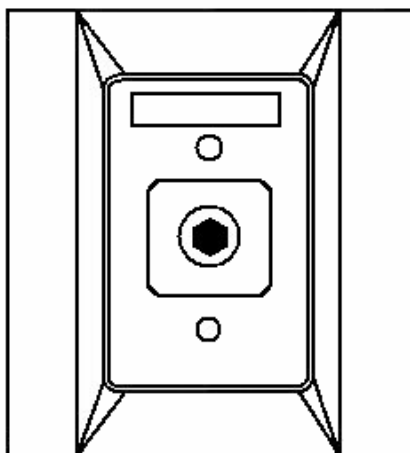
Item	Concealed Wall Outlet				
	Gas Service	Color Code	Complete Assembly	Rough-in Assembly	Latch-Valve Assembly
<b>Geometric Quick-Connect (U.S.)</b>	O <sub>2</sub>	White	<input type="checkbox"/> 6-121020-00	<input type="checkbox"/> 6-233110-00	<input type="checkbox"/> 6-230930-00
	N <sub>2</sub> O	Blue	<input type="checkbox"/> 6-121021-00	<input type="checkbox"/> 6-233111-00	<input type="checkbox"/> 6-230931-00
	AIR	Yellow	<input type="checkbox"/> 6-121022-00	<input type="checkbox"/> 6-233112-00	<input type="checkbox"/> 6-230932-00
	VAC	White	<input type="checkbox"/> 6-121023-00	<input type="checkbox"/> 6-233113-00	<input type="checkbox"/> 6-230933-00
	WAGD	Purple	<input type="checkbox"/> 6-121029-00	<input type="checkbox"/> 6-233119-00	<input type="checkbox"/> 6-230939-00
<b>Geometric Quick-Connect (International)</b>	O <sub>2</sub>	White	<input type="checkbox"/> 6-121020-00	<input type="checkbox"/> 6-233110-00	<input type="checkbox"/> 6-230930-00
	N <sub>2</sub> O	Blue	<input type="checkbox"/> 6-121021-00	<input type="checkbox"/> 6-233111-00	<input type="checkbox"/> 6-230931-00
	AIR	Black/White	<input type="checkbox"/> 6-151022-00	<input type="checkbox"/> 6-233116-00	<input type="checkbox"/> 6-230937-00
	VAC	Yellow	<input type="checkbox"/> 6-151023-00	<input type="checkbox"/> 6-233117-00	<input type="checkbox"/> 6-230938-00
	WAGD	Purple	<input type="checkbox"/> 6-121029-00	<input type="checkbox"/> 6-233119-00	<input type="checkbox"/> 6-230939-00
<b>Miscellaneous</b>	Slide*		<input type="checkbox"/> 6-120978-00		
	Blank, Gas		<input type="checkbox"/> 6-120979-00		
	Duplex Electrical Receptacle** (Gray 15A, 125V)		<input type="checkbox"/> 6-120972-00		
	Trim Plate (5")		<input type="checkbox"/> 6-325161-00		

\*Good design practice should include a slide for each vacuum outlet.

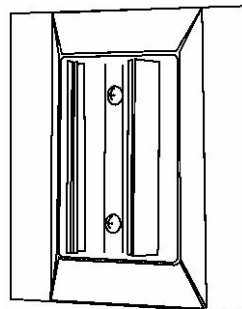
\*\*See specification sheet SSB-840-13 for additional electrical receptacles.

**Geometric Quick-Connect Wall Assembly**


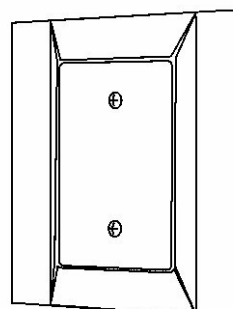
A maximum of three outlets may be ganged without additional support.



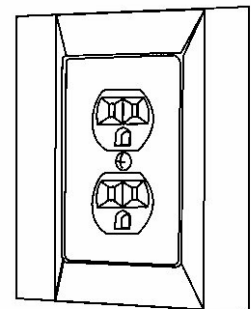
**Quick Connect Outlet**



**Slide**



**Blank Gas**



**Electrical**

**Optional Assemblies**