

**Series B Console And Modular Headwall Medical Gas Outlet
 Latch Index Quick-Connect Key Style**

SPECIFICATION

Quick-Connect Medical Gas Outlet

The Latch Index quick-connect Medical Gas outlet for consoles and modular headwalls shall be gas specific for the services indicated and accept only corresponding Latch Index quick-connect adapters. The outlets shall be UL listed, CSA certified, and be fully compliant with the latest edition of NFPA 99. All outlets shall be 100% tested for flow, leaks and connector insertion, retention and release. The outlets shall be cleaned for oxygen service prior to shipping. The outlets shall be made in the U.S.A. A die cast, light gray, epoxy powder coated or plastic trim plate (optional) can be provided to trim each outlet assembly.

Outlet Design

A complete medical gas outlet shall consist of a gas-specific rough-in assembly and a matching gas-specific latch-valve assembly.

Rough-in Assembly

The rough-in assembly shall be of modular design and include a gas-specific 16-gauge steel mounting plate designed to permit on-site installation. A machined brass outlet block shall be permanently attached to the mounting bracket to permit the 1/2" OD (3/8" nominal), type-K copper inlet tube to swivel 360° for attachment to the piping system.

Gas service identification shall be affixed to the inlet tube and the face of the mounting plate. A secondary valve shall be installed in the outlet block of the rough-in assembly for both pressure testing and preventing gas flow (except vacuum and WAGD) when the latch-valve assembly is removed for service. The rough-in assembly shall contain a double seal to prevent gas leakage between the rough-in and latch-valve assemblies after the wall is finished. A single o-ring seal shall not be acceptable.

Latch Valve Assembly

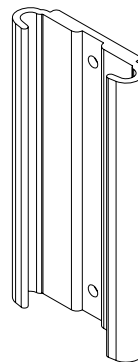
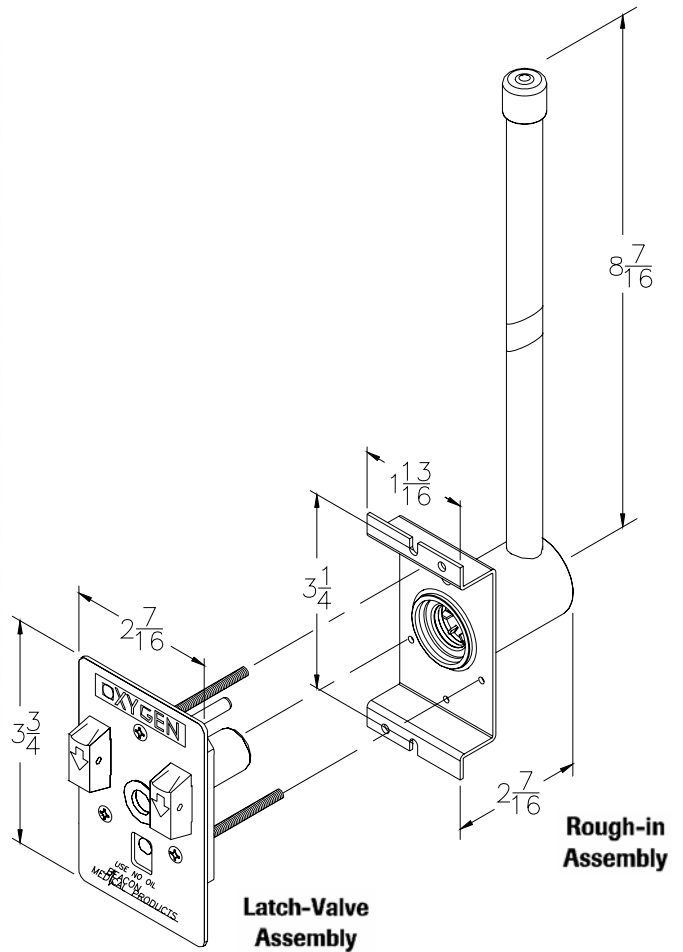
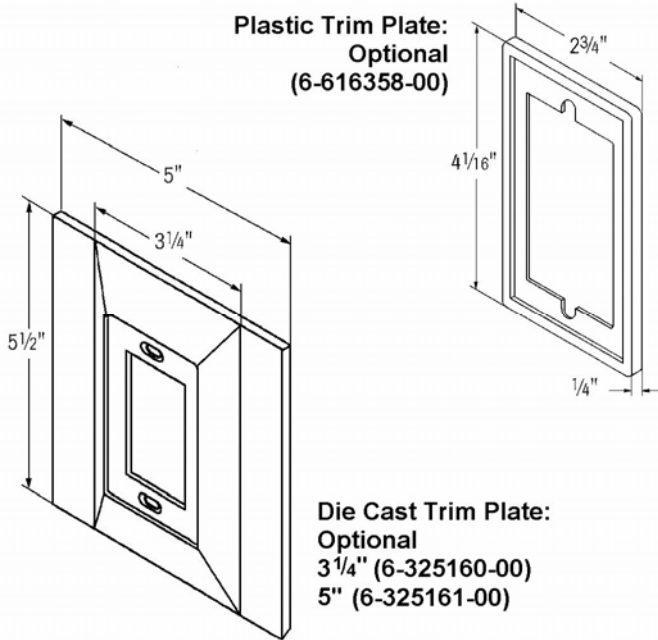
The latch valve assembly shall include a single compression seal primary valve and shall be indexed to the corresponding gas service rough-in assembly to avoid accidental cross connection. Latch valves shall telescope up to 3/4" to allow for variation in wall thickness. A metal cover plate insert with permanent color-coded gas service identification shall be included as part of the latch valve assembly. The trim plate design shall allow the latch valves to be individually removed for servicing.

Item	Standard Console				
	Gas Service	Color Code	Complete Assembly*	Latch-Valve Assembly	Rough-in Assembly
Latch Index Quick-Connect (U.S.)	O ₂	White	<input type="checkbox"/> 6-121080-00	<input type="checkbox"/> 6-230950-00	<input type="checkbox"/> 6-233010-00
	N ₂ O	Blue	N/A	<input type="checkbox"/> 6-230951-00	<input type="checkbox"/> 6-233011-00
	AIR	Yellow	<input type="checkbox"/> 6-121082-00	<input type="checkbox"/> 6-230952-00	<input type="checkbox"/> 6-233012-00
	VAC	White	<input type="checkbox"/> 6-121083-00	<input type="checkbox"/> 6-230953-00	<input type="checkbox"/> 6-233013-00
	WAGD	Purple	N/A	<input type="checkbox"/> 6-230959-00	<input type="checkbox"/> 6-233019-00
Latch Index Quick-Connect (International)	O ₂	White	N/A	<input type="checkbox"/> 6-230950-00	<input type="checkbox"/> 6-233010-00
	AIR	Black/White	N/A	<input type="checkbox"/> 6-230957-00	<input type="checkbox"/> 6-233016-00
	VAC	Yellow	N/A	<input type="checkbox"/> 6-230958-00	<input type="checkbox"/> 6-233017-00
Miscellaneous	Slide		<input type="checkbox"/> 6-135012-00		
	Blank, Gas		<input type="checkbox"/> 6-415169-00		

*Complete assembly consists of a rough-in assembly and latch-valve assembly. Optional trim plate must be ordered separately.



Latch Index Quick-Connect Console Assembly



**Slide Shown, p/n 6-135012-00
(See SSB-840-10 for more details)**