

## Medical Gas Outlets for OEM

### SPECIFICATION

#### Medical Gas Quick-Connect Outlet

The Medical Gas Outlets shall be gas specific, permanently labeled for the services indicated and shall accept only corresponding DISS, Puritan Bennett, Medaes® or Chemetron® manufacturer's-style, quick-connect adapters. The outlets shall be UL listed, CSA certified, and be fully compliant with the latest edition of NFPA 99. All outlets shall be 100% tested for flow, leaks and connector insertion, retention and release and cleaned for oxygen service prior to shipping. The outlets shall be made in the U.S.A. Optional trim plates can be provided to trim each outlet assembly. The trim plate shall allow latch valve to be individually removed for servicing.

#### Outlet Design

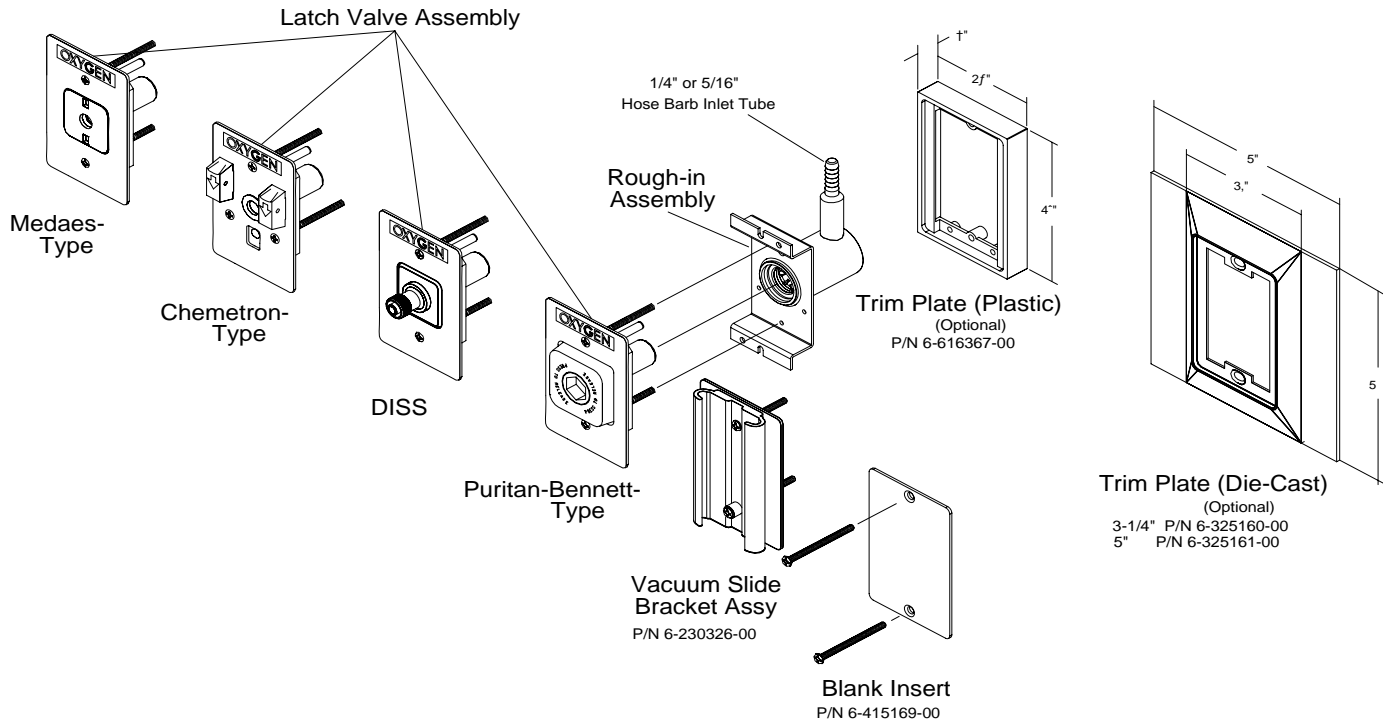
A complete outlet shall consist of a gas-specific rough-in assembly, a matching gas-specific latch-valve assembly, and an optional trim plate suitable for installation into a pre-manufactured wall or console panel. The outlet design shall allow for the change from one style of quick-connect to another without removing the entire outlet.

#### Rough-in Assembly

The rough-in assembly shall be of a modular design that includes a gas-specific, steel, mounting bracket designed to permit on-site location and installation. The gas inlet of the outlet body shall be a DISS or hose barb fitting connection. A secondary valve shall be included in the rough-in assembly for standing pressure testing of the distribution system and to prevent gas flow (except vacuum and WAGD) when the latch valve is removed for service.

#### Latch Valve Assembly

The latch-valve assembly shall be indexed to the corresponding gas service rough-in assembly to avoid accidental cross connection. Latch valves shall have permanent color-coded gas service identification clearly indicated on the front surface.





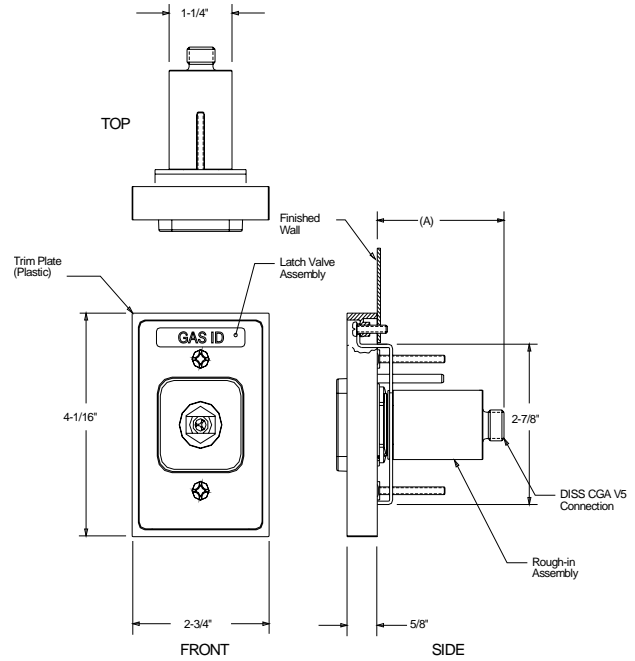
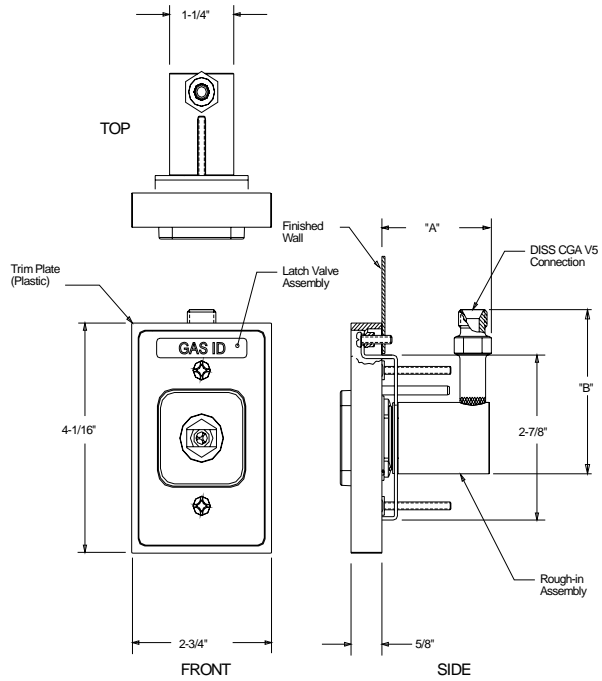
Console Rough-In Assembly						
Gas Service	Color Code (Background/Text)	Hose Barb	Rear Entry DISS	90° DISS	Rear Entry Tube	Rear Entry Hose Barb
O <sub>2</sub>	White/Green	<input type="checkbox"/> 6-233210-00	<input type="checkbox"/> 6-233310-00	<input type="checkbox"/> 6-233410-00	<input type="checkbox"/> 6-233610-00	<input type="checkbox"/> 6-233810-00
N <sub>2</sub> O	Blue/White	<input type="checkbox"/> 6-233211-00	<input type="checkbox"/> 6-233311-00	<input type="checkbox"/> 6-233411-00	<input type="checkbox"/> 6-233611-00	<input type="checkbox"/> 6-233811-00
AIR	Yellow/Black	<input type="checkbox"/> 6-233212-00	<input type="checkbox"/> 6-233312-00	<input type="checkbox"/> 6-233412-00	<input type="checkbox"/> 6-233612-00	<input type="checkbox"/> 6-233812-00
VAC	White/Black	<input type="checkbox"/> 6-233213-00	<input type="checkbox"/> 6-233313-00	<input type="checkbox"/> 6-233413-00	<input type="checkbox"/> 6-233613-00	NA
VAC*	White/Black	<input type="checkbox"/> 6-233213-53*	NA	NA	NA	<input type="checkbox"/> 6-233813-00*
Nitrogen	Black/White	<input type="checkbox"/> 6-233214-00	<input type="checkbox"/> 6-233314-00	<input type="checkbox"/> 6-233414-00	<input type="checkbox"/> 6-233614-00	<input type="checkbox"/> 6-233814-00
Air (ISO)	Black/White	<input type="checkbox"/> 6-233216-00	<input type="checkbox"/> 6-233316-00	<input type="checkbox"/> 6-233416-00	<input type="checkbox"/> 6-233616-00	<input type="checkbox"/> 6-233816-00
Vac (ISO)	Yellow/Black	<input type="checkbox"/> 6-233217-00	<input type="checkbox"/> 6-233317-00	<input type="checkbox"/> 6-233417-00	<input type="checkbox"/> 6-233617-00	<input type="checkbox"/> 6-233817-00*
Inst Air	Red/White	<input type="checkbox"/> 6-233218-00	<input type="checkbox"/> 6-233318-00	<input type="checkbox"/> 6-233418-00	<input type="checkbox"/> 6-233618-00	<input type="checkbox"/> 6-233818-00
WAGD	Violet/White	<input type="checkbox"/> 6-233219-00	<input type="checkbox"/> 6-233319-00	<input type="checkbox"/> 6-233419-00	<input type="checkbox"/> 6-233619-00	<input type="checkbox"/> 6-233819-00
WAGD*	Violet/White	<input type="checkbox"/> 6-233219-53*	NA	NA	NA	NA
CO <sub>2</sub>	Gray/Black	<input type="checkbox"/> 6-233220-00	<input type="checkbox"/> 6-233320-00	<input type="checkbox"/> 6-233420-00	<input type="checkbox"/> 6-233620-00	<input type="checkbox"/> 6-233820-00
CO <sub>2</sub> -O <sub>2</sub>	Gray/White/Green	<input type="checkbox"/> 6-233221-00	<input type="checkbox"/> 6-233321-00	<input type="checkbox"/> 6-233421-00	<input type="checkbox"/> 6-233621-00	<input type="checkbox"/> 6-233821-00
O <sub>2</sub> -CO <sub>2</sub>	White/Green/Gray	<input type="checkbox"/> 6-233222-00	<input type="checkbox"/> 6-233322-00	<input type="checkbox"/> 6-233422-00	<input type="checkbox"/> 6-233622-00	<input type="checkbox"/> 6-233822-00
He-O <sub>2</sub>	Brown/White/Green	<input type="checkbox"/> 6-233223-00	<input type="checkbox"/> 6-233323-00	<input type="checkbox"/> 6-233423-00	<input type="checkbox"/> 6-233623-00	<input type="checkbox"/> 6-233823-00
O <sub>2</sub> -He	White/Green/Brown	<input type="checkbox"/> 6-233224-00	<input type="checkbox"/> 6-233324-00	<input type="checkbox"/> 6-233424-00	<input type="checkbox"/> 6-233624-00	<input type="checkbox"/> 6-233824-00

\*5/16" flexible hose connection

Concealed Rough-In Assembly		
Gas Service	Color Code	Rear Entry Tube
O <sub>2</sub>	White/Green	<input type="checkbox"/> 6-233710-00
N <sub>2</sub> O	Blue/White	<input type="checkbox"/> 6-233711-00
AIR	Yellow/Black	<input type="checkbox"/> 6-233712-00
VAC	White/Black	<input type="checkbox"/> 6-233713-00
Nitrogen	Black/White	<input type="checkbox"/> 6-233714-00
Air (ISO)	Black/White	<input type="checkbox"/> 6-233716-00
Vac (ISO)	Yellow/Black	<input type="checkbox"/> 6-233717-00

Concealed Rough-In Assembly		
Gas Service	Color Code	Rear Entry Tube
Inst Air	Red/White	<input type="checkbox"/> 6-233718-00
WAGD	Violet/White	<input type="checkbox"/> 6-233719-00
CO <sub>2</sub>	Gray/Black	<input type="checkbox"/> 6-233720-00
CO <sub>2</sub> -O <sub>2</sub>	Gray/White/Green	<input type="checkbox"/> 6-233721-00
O <sub>2</sub> -CO <sub>2</sub>	White/Green/Gray	<input type="checkbox"/> 6-233722-00
He-O <sub>2</sub>	Brown/White/Green	<input type="checkbox"/> 6-233723-00
O <sub>2</sub> -He	White/Green/Brown	<input type="checkbox"/> 6-233724-00

Latch Valve Assembly					
Gas Service	Color Code	Puritan Bennett Type	Medaes-Type	Chemetron-Type	DISS
O <sub>2</sub>	White/Green	<input type="checkbox"/> 6-230930-00	<input type="checkbox"/> 6-230940-00	<input type="checkbox"/> 6-230950-00	<input type="checkbox"/> 6-230910-00
N <sub>2</sub> O	Blue/White	<input type="checkbox"/> 6-230931-00	<input type="checkbox"/> 6-230941-00	<input type="checkbox"/> 6-230951-00	<input type="checkbox"/> 6-230911-00
AIR	Yellow/Black	<input type="checkbox"/> 6-230932-00	<input type="checkbox"/> 6-230942-00	<input type="checkbox"/> 6-230952-00	<input type="checkbox"/> 6-230912-00
VAC	White/Black	<input type="checkbox"/> 6-230933-00	<input type="checkbox"/> 6-230943-00	<input type="checkbox"/> 6-230953-00	<input type="checkbox"/> 6-230913-00
Nitrogen	Black/White	NA	NA	NA	<input type="checkbox"/> 6-230914-00
Inst Air	Red/White	NA	NA	NA	<input type="checkbox"/> 6-230916-00
Air (ISO)	Black/White	<input type="checkbox"/> 6-230937-00	<input type="checkbox"/> 6-230947-00	<input type="checkbox"/> 6-230957-00	<input type="checkbox"/> 6-230917-00
Vac (ISO)	Yellow/Black	<input type="checkbox"/> 6-230938-00	<input type="checkbox"/> 6-230948-00	<input type="checkbox"/> 6-230958-00	<input type="checkbox"/> 6-230918-00
WAGD	Violet/White	<input type="checkbox"/> 6-230939-00	<input type="checkbox"/> 6-230946-00	<input type="checkbox"/> 6-230959-00	<input type="checkbox"/> 6-230919-00
CO <sub>2</sub>	Gray/Black	NA	NA	NA	<input type="checkbox"/> 6-230920-00
CO <sub>2</sub> -O <sub>2</sub>	Gray/White/Green	NA	NA	NA	<input type="checkbox"/> 6-230921-00
O <sub>2</sub> -CO <sub>2</sub>	White/Green/Gray	NA	NA	NA	<input type="checkbox"/> 6-230922-00
He-O <sub>2</sub>	Brown/White/Green	NA	NA	NA	<input type="checkbox"/> 6-230923-00
O <sub>2</sub> -He	White/Green/Brown	NA	NA	NA	<input type="checkbox"/> 6-230924-00



90° DISS		
Rough-In P/N	A	B
6-233410-00	2-1/8	2-7/8
6-233411-00	2-3/16	3-3/16
6-233412-00		
6-233413-00		
6-233414-00		
6-233419-00	2-1/4	
6-233420-00	2-3/16	

Rear Entry DISS	
Rough-In P/N	A
6-233310-00	2-1/2
6-233311-00	2-7/16
6-233312-00	
6-233313-00	
6-233314-00	
6-233319-00	2-15/16
6-233320-00	2-7/16

