

## DiamondCare® Medical Gas Quick-Connect Outlets for OEM

### SPECIFICATION

#### Medical Gas Quick-Connect Outlet

The Medical Gas Outlets shall be gas specific, permanently labeled for the services indicated and shall accept only corresponding DISS, Puritan Bennett, Medaes® or Chemtron® manufacturer's-style, quick-connect adapters. The outlets shall be UL listed, CSA certified, and be fully compliant with the latest edition of NFPA 99. Outlets shall be tested for flow, leaks and cleaned for oxygen service prior to shipping. The outlets shall be made in the U.S.A.

#### Outlet Design

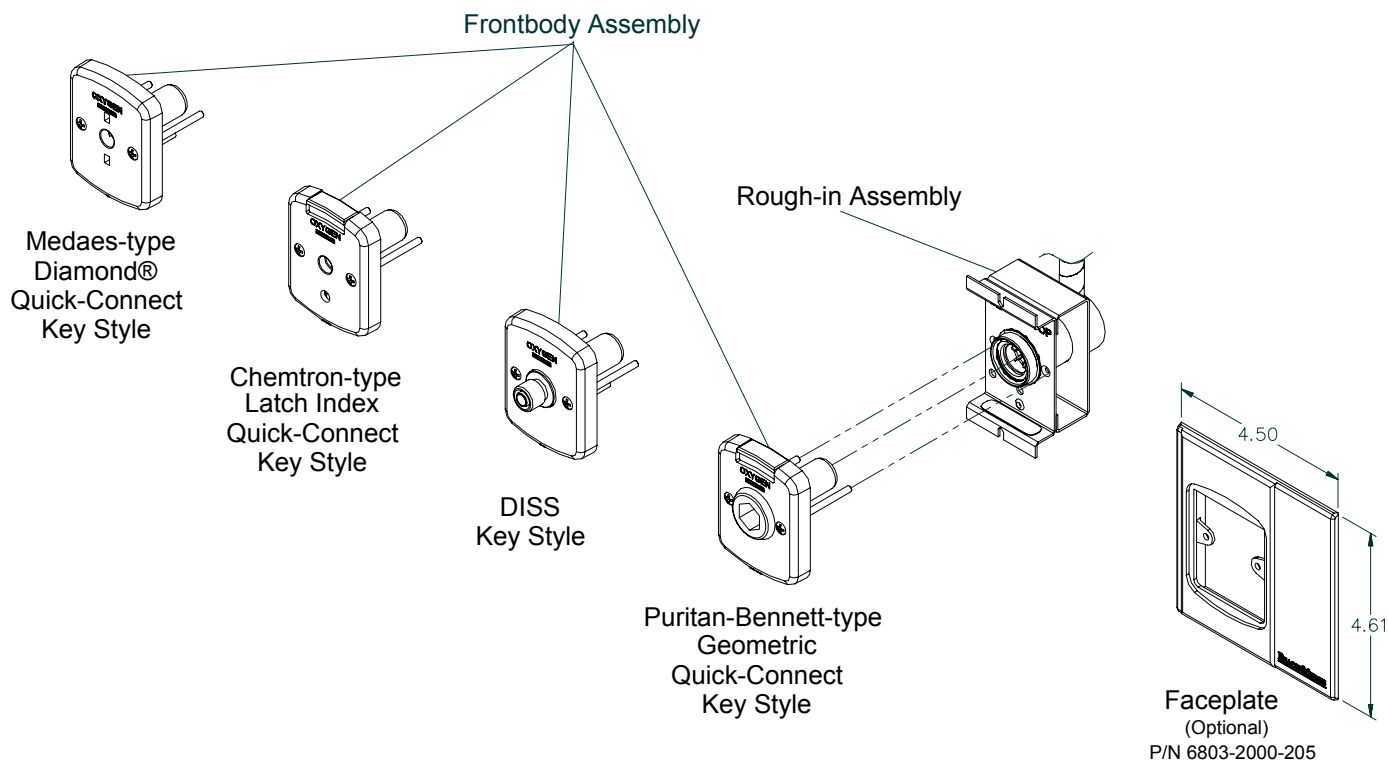
A complete outlet shall consist of a gas-specific rough-in assembly and a matching gas-specific front body assembly. The outlet design shall allow for the change from one style of quick-connect or DISS front body to another without any changes or modifications to the rough-in assembly.

#### Rough-in Assembly

The rough-in assembly includes a gas-specific, plated steel, mounting bracket designed to permit on-site location and installation. The gas inlet of the outlet body shall be DISS, copper tube or hose barb fitting connection. A secondary valve shall be included in all pressure service rough-in assemblies for standing pressure testing of the distribution system and to prevent gas flow (except vacuum and WAGD) when the front body is removed for service. Vacuum and WAGD rough-ins shall be provided with a pressure test plug for pressure and vacuum testing.

#### Front Body Assembly

The front body assembly shall be indexed to the corresponding gas service rough-in assembly to avoid accidental cross connection. Front bodies shall have permanent color-coded gas service identification clearly indicated on the front surface.





Console Rough-In Assembly						
Gas Service	Color Code Label (Background/Text)	Hose Barb	Rear Entry DISS	90° DISS	3/8" OD Tube	1/2" OD Tube
O <sub>2</sub>	White/Green	<input type="checkbox"/> 6-236210-00	<input type="checkbox"/> 6803-8130-800	<input type="checkbox"/> 6-236410-00	<input type="checkbox"/> 6803-8138-800H	<input type="checkbox"/> 6803-8138-800
N <sub>2</sub> O	Blue/White	<input type="checkbox"/> 6-236211-00	<input type="checkbox"/> 6803-8130-801	<input type="checkbox"/> 6-236411-00	<input type="checkbox"/> 6803-8138-801H	<input type="checkbox"/> 6803-8138-801
AIR	Yellow/Black	<input type="checkbox"/> 6-236212-00	<input type="checkbox"/> 6803-8130-803	<input type="checkbox"/> 6-236412-00	<input type="checkbox"/> 6803-8138-803H	<input type="checkbox"/> 6803-8138-803
VAC	White/Black	<input type="checkbox"/> NA	<input type="checkbox"/> 6803-8130-802	<input type="checkbox"/> 6-236413-00	<input type="checkbox"/> NA	<input type="checkbox"/> 6803-8138-802
VAC*	White/Black	<input type="checkbox"/> 6-236213-00*	<input type="checkbox"/> NA	<input type="checkbox"/> NA	<input type="checkbox"/> NA	<input type="checkbox"/> NA
Nitrogen	Black/White	<input type="checkbox"/> 6-236214-00	<input type="checkbox"/> 6803-8130-805	<input type="checkbox"/> 6-236414-00	<input type="checkbox"/> 6803-8138-805H	<input type="checkbox"/> 6803-8138-805
Air (ISO)	Black/White	<input type="checkbox"/> 6-236216-00	<input type="checkbox"/> NA	<input type="checkbox"/> 6-236416-00	<input type="checkbox"/> 6803-8138-809H	<input type="checkbox"/> 6803-8138-809
Vac (ISO)	Yellow/Black	<input type="checkbox"/> 6-236217-00*	<input type="checkbox"/> NA	<input type="checkbox"/> 6-236417-00	<input type="checkbox"/> NA	<input type="checkbox"/> 6803-8138-810
IAir	Red/White	<input type="checkbox"/> 6-236218-00	<input type="checkbox"/> 6803-8130-818	<input type="checkbox"/> 6-236418-00	<input type="checkbox"/> 6803-8138-818H	<input type="checkbox"/> 6803-8138-818
O <sub>2</sub> (ISO)	White/Green	<input type="checkbox"/> NA	<input type="checkbox"/> NA	<input type="checkbox"/> NA	<input type="checkbox"/> 6803-8138-808H	<input type="checkbox"/> 6803-8138-808
WAGD	Violet/White	<input type="checkbox"/> NA	<input type="checkbox"/> 6803-8130-806	<input type="checkbox"/> 6-236419-00	<input type="checkbox"/> NA	<input type="checkbox"/> 6803-8138-806
WAGD*	Violet/White	<input type="checkbox"/> 6-236219-00*	<input type="checkbox"/> NA	<input type="checkbox"/> NA	<input type="checkbox"/> NA	<input type="checkbox"/> NA
CO <sub>2</sub>	Gray/Black	<input type="checkbox"/> 6-236220-00	<input type="checkbox"/> 6803-8130-804	<input type="checkbox"/> 6-236420-00	<input type="checkbox"/> 6803-8138-804H	<input type="checkbox"/> 6803-8138-804
O <sub>2</sub> -CO <sub>2</sub>	Green/Gray	<input type="checkbox"/> 6-236222-00	<input type="checkbox"/> 6803-8130-807	<input type="checkbox"/> 6-236422-00	<input type="checkbox"/> 6803-8138-807H	<input type="checkbox"/> 6803-8138-807

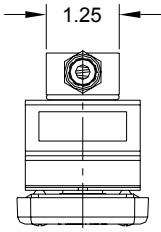
\*5/16" flexible hose connection. Hose barb assemblies are sized for 1/4" ID hose unless otherwise specified.

Console Front Body Assembly					
Gas Service	Color Code Body (Background/Text)	Puritan Bennett Type	Medaes-Type	Chemetron-Type	DISS
O <sub>2</sub>	Green/White	<input type="checkbox"/> 6803-8112-800	<input type="checkbox"/> 6803-8111-800	<input type="checkbox"/> 6803-8113-800	<input type="checkbox"/> 6803-8110-800
N <sub>2</sub> O	Blue/White	<input type="checkbox"/> 6803-8112-801	<input type="checkbox"/> 6803-8111-801	<input type="checkbox"/> 6803-8113-801	<input type="checkbox"/> 6803-8110-801
AIR	Yellow/Black	<input type="checkbox"/> 6803-8112-803	<input type="checkbox"/> 6803-8111-803	<input type="checkbox"/> 6803-8113-803	<input type="checkbox"/> 6803-8110-803
VAC	White/Black	<input type="checkbox"/> 6803-8112-802	<input type="checkbox"/> 6803-8111-802	<input type="checkbox"/> 6803-8113-802	<input type="checkbox"/> 6803-8110-802
Nitrogen	Black/White	<input type="checkbox"/> NA	<input type="checkbox"/> NA	<input type="checkbox"/> NA	<input type="checkbox"/> 6803-8110-805
Oxygen (ISO)	White/Green	<input type="checkbox"/> 6803-8112-808	<input type="checkbox"/> 6803-8111-808	<input type="checkbox"/> 6803-8113-808	<input type="checkbox"/> 6803-8110-808
Air (ISO)	Black/White	<input type="checkbox"/> 6803-8112-809	<input type="checkbox"/> 6803-8111-809	<input type="checkbox"/> 6803-8113-809	<input type="checkbox"/> 6803-8110-809
Vac (ISO)	Yellow/Black	<input type="checkbox"/> 6803-8112-810	<input type="checkbox"/> 6803-8111-810	<input type="checkbox"/> 6803-8113-810	<input type="checkbox"/> 6803-8110-810
IAir	Red/White	<input type="checkbox"/> NA	<input type="checkbox"/> NA	<input type="checkbox"/> NA	<input type="checkbox"/> 6803-8110-818
WAGD	Violet/White	<input type="checkbox"/> 6803-8112-806	<input type="checkbox"/> 6803-8111-806	<input type="checkbox"/> 6803-8113-806	<input type="checkbox"/> 6803-8110-806
CO <sub>2</sub>	Gray/Black	<input type="checkbox"/> NA	<input type="checkbox"/> NA	<input type="checkbox"/> 6803-8113-804	<input type="checkbox"/> 6803-8110-804
O <sub>2</sub> -CO <sub>2</sub>	Green/Gray	<input type="checkbox"/> NA	<input type="checkbox"/> NA	<input type="checkbox"/> 6803-8113-807	<input type="checkbox"/> 6803-8110-807

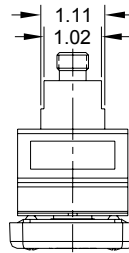


90° DISS			
Rough-In P/N	A	B	C
236410-00	2.33	.625	2.92
236411-00	2.41	.75	3.23
236412-00			
236413-00			
236414-00			
236416-00			
236417-00			
236418-00	2.48	.875	
236419-00			
236420-00			
236422-00	2.41	.75	

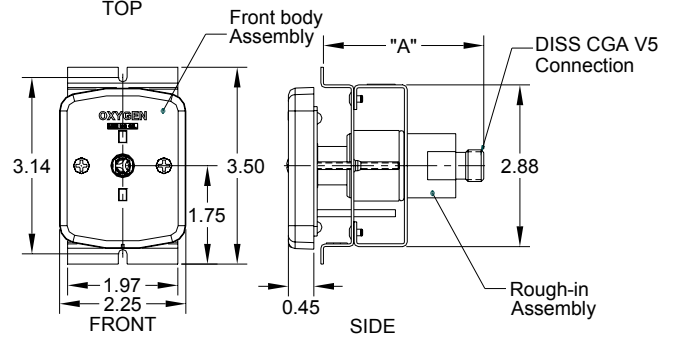
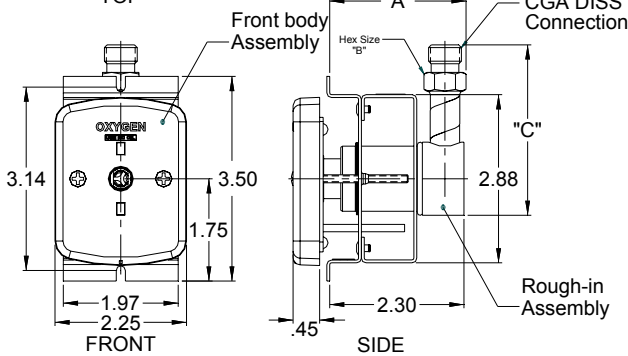
Rear Entry DISS	
Rough-In P/N	A
6803-8130-800	2.86
6803-8130-801	3.20
6803-8130-802	
6803-8130-803	
6803-8130-804	
6803-8130-805	
6803-8130-806	
6803-8130-807	
6803-8130-818	



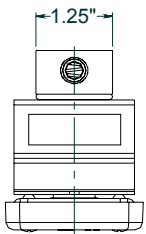
TOP



TOP

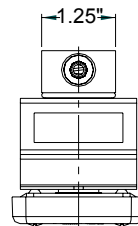
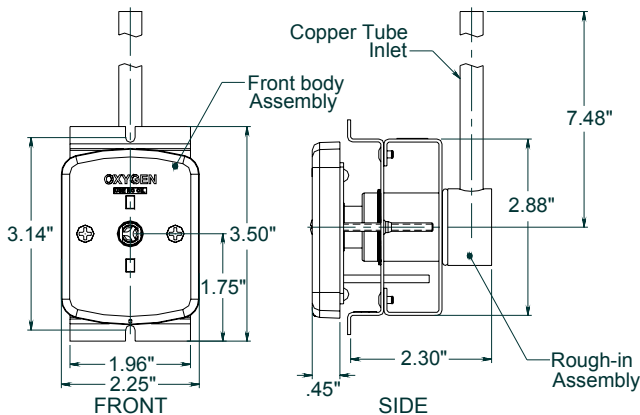


**NOTE:** Slotted holes for mounting the rough-ins are designed to accept a #6-32 screw and can easily fit into a standard box with tapped holes on 3.28" centerlines.



TOP

**90° Copper Tube**



TOP

**90° Hose Barb**

