

DiamondCare® Recessed Wall Outlet Latch Index Quick-Connect Key Style

SPECIFICATION

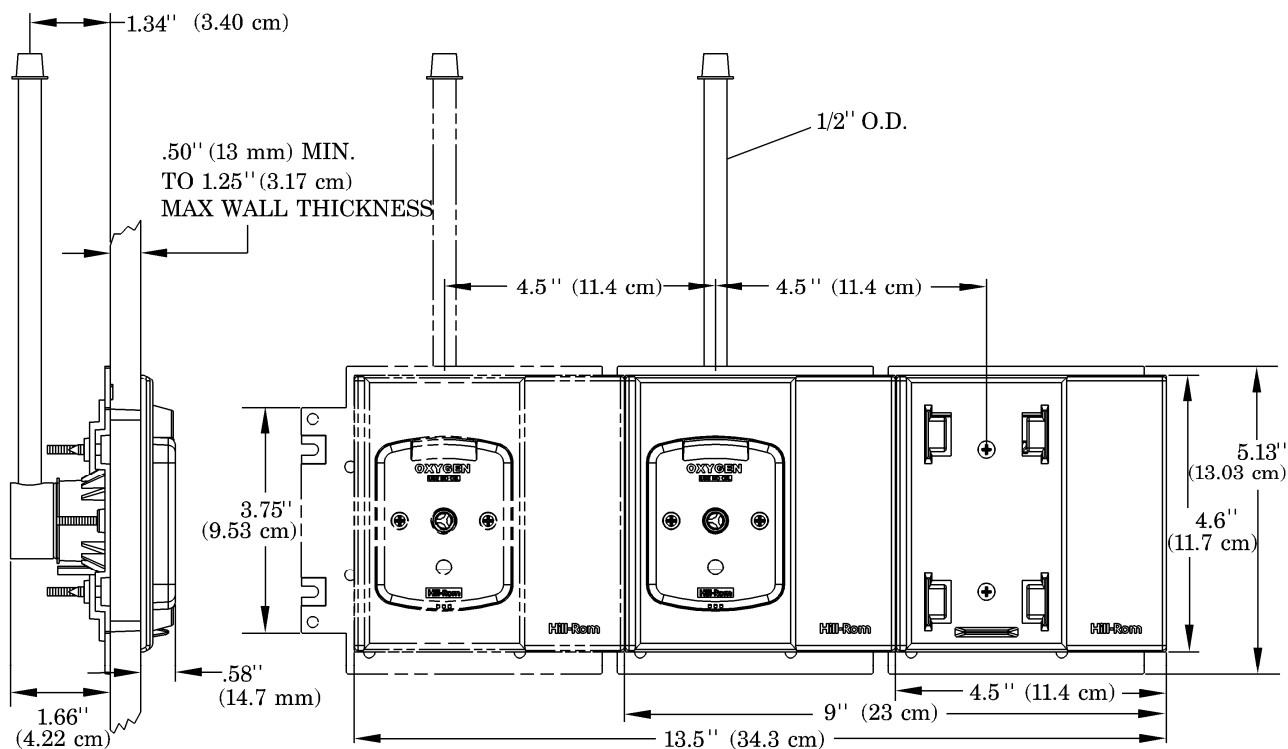
Recessed Wall Outlet

The DiamondCare® Recessed Wall Outlet is available in a Latch Index Quick-Connect Key Style for each of the medical gas services listed in the table on page 2. Each outlet consists of a rough-in assembly and a finish assembly. The rough-in assembly consists of a zinc, die-cast backplate with mounting flanges on all four sides, a 1/2" (12.7 mm) raised plaster strike, and a non-removable, positive, pin-keying arrangement for each specific gas service. Identification of each gas service is permanently cast into the backplate.

Rough-In Assembly

The rough-in assembly for all pressure gas services contains a fully assembled secondary check, which is completely serviceable from the front. This check prevents gas flow when the finish assembly is removed for maintenance or service. Vacuum and WAGD services do not have secondary check valves, according to NFPA 99 standards. The rough-in inlet is a 7" (18 cm) long, 1/2" (12.7 mm) O.D., type K copper inlet tube, with a label identifying the specific gas by name and color, and a plastic dust cap. Rotation of the inlet tube allows alignment with system piping for connections.

Product Dimensions



Finish Assembly

The finish assembly consists of a powder-coated light neutral, zinc, die-cast, finish faceplate, a front-body keying disc assembly, and a detachable barrel assembly. The keying disc assembly includes a gas-specific, positive, pin-keying device that is color-coded and labeled with the name of the gas service. The detachable barrel assembly includes a plastic piston and brass, primary, check valve that engage and seal when a hose adapter or patient treatment device is removed from the outlet.

Features

- Unique, twist-lock barrel cartridge design (patent pending) permits quick replacement of the primary check valve without special tools.
- Keying discs and labels are gas-specific and color-coded.
- The outlet has a reliable, single finger, downward-activated, adapter release button.
- Flush, interlocking, rough-in flanges and proprietary dust shield/purging covers are installation-friendly.
- Outlets are listed by UL and CSA®, and manufactured in accordance with applicable NFPA 99, CGA, and CSA® standards.
- All outlets are cleaned for oxygen service, pressure-tested, and capped prior to shipping.

t003b002

Ordering Information

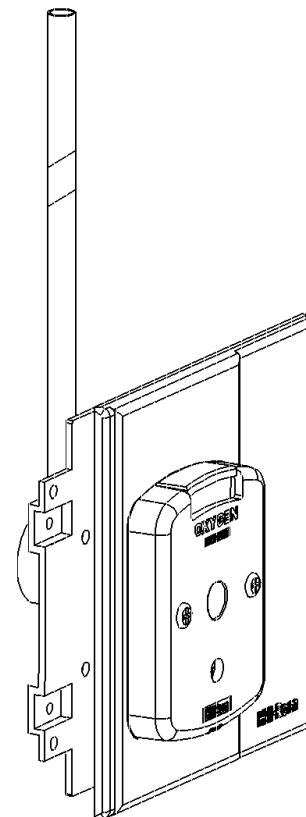
You can order a DiamondCare® Recessed Wall Outlet as a complete assembly (rough-in and finish), or as individual assemblies. Each assembly is individually packaged. Finish assemblies can be shipped at a later date, or you can store them for later installation, so there is less chance of being misplaced, damaged, or lost.

Gas Service ⁽¹⁾	Latch Index Complete Assembly	Latch Index Finish Assembly Only	Rough-in Assembly Only
O ₂	<input type="checkbox"/> 6803-8123-100	<input type="checkbox"/> 6803-8123-800	<input type="checkbox"/> 6803-8139-800
N ₂ O	<input type="checkbox"/> 6803-8123-101	<input type="checkbox"/> 6803-8123-801	<input type="checkbox"/> 6803-8139-801
Vac	<input type="checkbox"/> 6803-8123-102	<input type="checkbox"/> 6803-8123-802	<input type="checkbox"/> 6803-8139-802
Air	<input type="checkbox"/> 6803-8123-103	<input type="checkbox"/> 6803-8123-803	<input type="checkbox"/> 6803-8139-803
WAGD ⁽²⁾	<input type="checkbox"/> 6803-8123-106	<input type="checkbox"/> 6803-8123-806	<input type="checkbox"/> 6803-8139-806
Slide	<input type="checkbox"/> 6803-8030-275	<input type="checkbox"/> 6803-8030-263	<input type="checkbox"/> 6803-8030-269

(1) ISO labeled confirmations are also available.

(2) WAGD: Waste Anesthetic Gas Disposal (formerly Evacuation)

CO₂, N₂, and O₂/CO₂ services are available in DISS Key Style. For more information, contact BeaconMedaes Customer Service at 1-888-4MEDGAS (463-3427)



t003_001