

DiamondCare® Recessed Wall/Ceiling Outlet DISS Key Style

SPECIFICATION

Wall/Ceiling Outlet

The DiamondCare® Recessed Wall/Ceiling Outlet is available in a DISS Key Style for each of the medical gas services listed on page 2. Each outlet consists of a rough-in assembly and a finish assembly. The rough-in assembly consists of a zinc, die-cast backplate with mounting flanges on all four sides, a ½" (12.7 mm) raised plaster strike, and a non-removable, positive, pin-keying arrangement for each specific gas service. Identification of each gas service is permanently cast into the backplate.

Rough-In Assembly

The rough-in assembly for all pressure gas services contains a fully assembled secondary check, which is completely serviceable from the front. This check prevents gas flow when the finish assembly is removed for maintenance or service. Vacuum and WAGD services do not have secondary check valves, according to NFPA 99 standards. The rough-in inlet is a 7" (18 cm) long, ½" (12.7 mm) O.D., type K copper inlet tube, with a label identifying the specific gas by name and color, and a plastic dust cap. Rotation of the inlet tube allows alignment with system piping for connections.

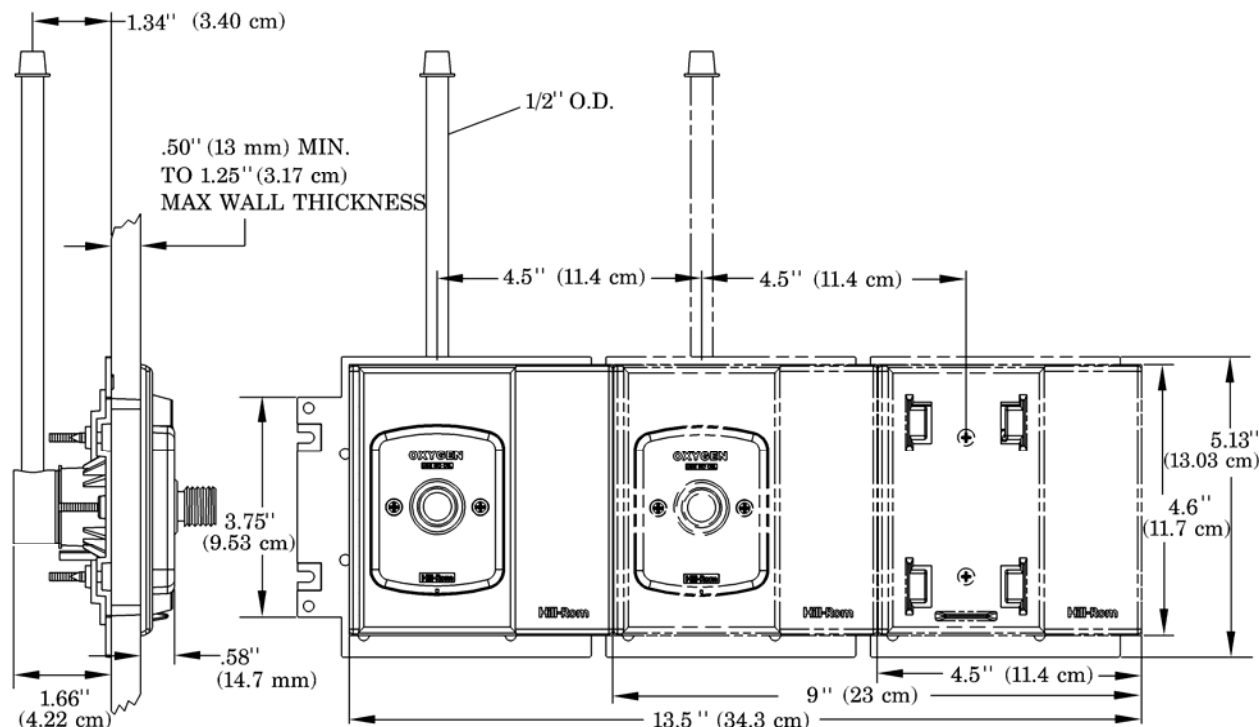
Finish Assembly

The finish assembly consists of a powder-coated light neutral, zinc, die-cast, finish faceplate, and attached, frontbody, keying, disc assembly. The keying disc assembly includes a gas-specific, threaded, DISS keying system that is color-coded and labeled with the name of the gas service. A serviceable barrel assembly includes a brass, primary, check valve that engages and seals when a hose adapter or patient treatment device is removed from the outlet.

Features

- Quick access to primary check valve components.
- Large, gas-specific, color-coded, keying disc and label.
- Installation-friendly, flush, interlocking, rough-in flanges and proprietary, dust shield/purging cover.
- Listed by UL and CSA®, and manufactured in accordance with applicable NFPA 99, CGA, and CSA® standards.
- Cleaned for oxygen service, pressure-tested, and capped prior to shipping.

Product Dimensions



t001b002

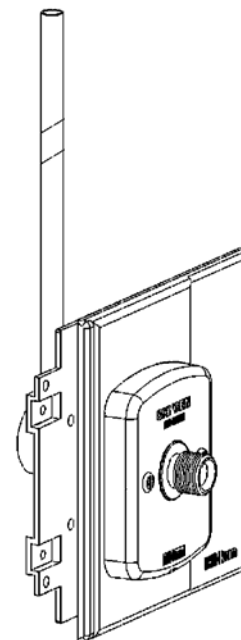
Ordering Information

You can order a DiamondCare® Recessed Wall/Ceiling Outlet as a complete assembly (rough-in and finish), or as individual assemblies. Each assembly is individually packaged. You can store finish assemblies for later installation or finish assemblies can be shipped at a later date, so there is less chance of being misplaced, damaged, or lost.

Gas Service ⁽¹⁾	DISS Key Style Complete Assembly	DISS Key Style Finish Assembly Only	Rough-in Assembly Only
O ₂	<input type="checkbox"/> 6803-8120-100	<input type="checkbox"/> 6803-8120-800	<input type="checkbox"/> 6803-8139-800
N ₂ O	<input type="checkbox"/> 6803-8120-101	<input type="checkbox"/> 6803-8120-801	<input type="checkbox"/> 6803-8139-801
Vac	<input type="checkbox"/> 6803-8120-102	<input type="checkbox"/> 6803-8120-802	<input type="checkbox"/> 6803-8139-802
Air	<input type="checkbox"/> 6803-8120-103	<input type="checkbox"/> 6803-8120-803	<input type="checkbox"/> 6803-8139-803
CO ₂	<input type="checkbox"/> 6803-8120-104	<input type="checkbox"/> 6803-8120-804	<input type="checkbox"/> 6803-8139-804
N ₂	<input type="checkbox"/> 6803-8120-105	<input type="checkbox"/> 6803-8120-805	<input type="checkbox"/> 6803-8139-805
WAGD ⁽²⁾	<input type="checkbox"/> 6803-8120-106	<input type="checkbox"/> 6803-8120-806	<input type="checkbox"/> 6803-8139-806
IAir	<input type="checkbox"/> 6803-8120-118	<input type="checkbox"/> 6803-8120-818	<input type="checkbox"/> 6803-8139-818
O ₂ /CO ₂ mix	<input type="checkbox"/> 6803-8120-107	<input type="checkbox"/> 6803-8120-807	<input type="checkbox"/> 6803-8139-807
Slide	<input type="checkbox"/> 6803-8030-275	<input type="checkbox"/> 6803-8030-263	<input type="checkbox"/> 6803-8030-269

(1) ISO labeled confirmations are also available.

(2) WAGD: Waste Anesthetic Gas Disposal (formerly evacuation)



t001_001