

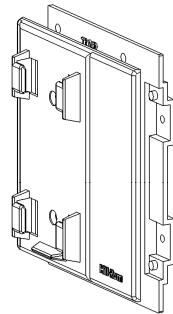
## DiamondCare® Wall Outlet Slide Accessories

### SPECIFICATION

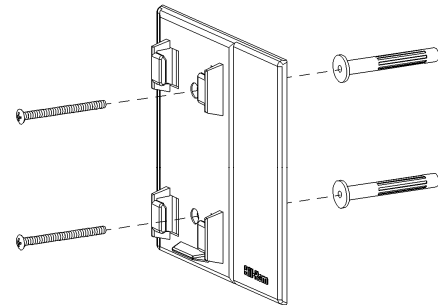
#### Slide Accessories for the DiamondCare® Wall Outlet

Slide Accessories for the DiamondCare® Wall Outlet support trap bottles and other vacuum equipment. Two slide accessories are available. The standard recessed wall slide consists of a powder-coated light neutral, zinc, die-cast faceplate assembly and a rough-in assembly that is designed to be ganged with DiamondCare® medical gas outlets and electrical accessories.

The wall-mounted slide consists of a powder-coated light neutral, zinc, die-cast faceplate with two anchor screws for attachment directly to a wall (without use of a rough-in). Both slide finish plates are powder-coated light neutral, zinc, die-castings.

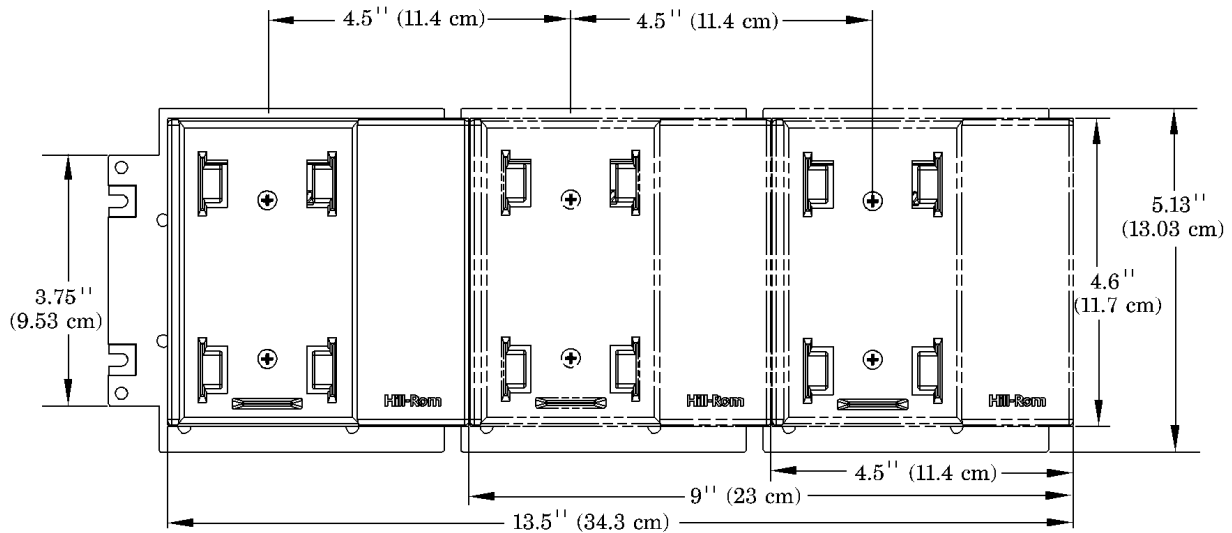


Standard recessed wall  
slide accessory



Wall mounted slide accessory

#### Product Dimensions



#### Ordering Information

Slide Accessory	Finish Assembly	Rough-in Assembly
Standard Recessed Wall Slide	<input type="checkbox"/> 6803-8030-263	<input type="checkbox"/> 6803-8030-269
Wall-Mounted Slide	<input type="checkbox"/> 6803-8030-268	N/A

For more information, contact BeaconMedaes Customer Service at  
 1-888-4MEDGAS (463-3427)