



DiamondCare® Outlet Surface Mount Enclosures

SPECIFICATION

Surface Mount Enclosures

Surface mount enclosures permit installation of DiamondCare® medical gas outlets and slides on a wall surface where a recessed wall outlet cannot be installed.

Surface Mount Gas Outlet Enclosures

The Surface Mount Gas Outlet Enclosure is designed to mate with a DiamondCare® Console Outlet for any available gas. The DiamondCare® Console Outlet finish and rough-in (standard piped) assemblies must be ordered separately.

The Surface Mount Gas Outlet Enclosure consists of a powder-coated, light-neutral colored, metal enclosure, a mounting bracket and two screws. The front of the enclosure kit includes a cut-out for mounting the desired DiamondCare® Console frontbody. The mounting bracket is used to affix the DiamondCare® Console Outlet rough-in assembly (standard piped) to the wall. The enclosure is held in place by attaching the console frontbody to the rough-in assembly.

Surface Mount Slide Enclosures

The Surface Mount Slide Enclosure provides a slide attachment that consists of a powder-coated light neutral, metal enclosure, a mounting bracket and slide with two mounting screws.

Features

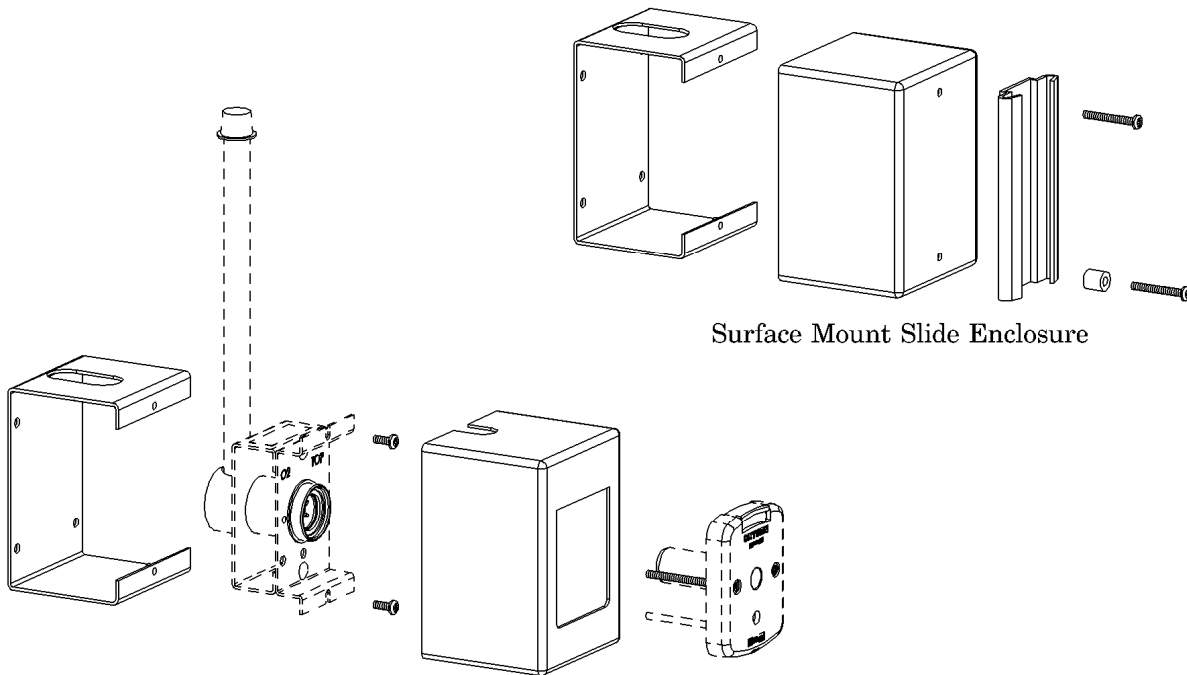
- Permits wall mounting of DiamondCare® medical gas services and slides where a recessed wall outlet cannot be installed.
- Can be used with any available DiamondCare® gas service and key style outlet.

Ordering Information

Enclosure	Product Number
DiamondCare® Wall Outlet – Surface Mount Gas Outlet Enclosure	<input type="checkbox"/> 6803-8030-271
DiamondCare® Wall Outlet – Surface Mount Slide Enclosure	<input type="checkbox"/> 6803-8030-274

NOTE:

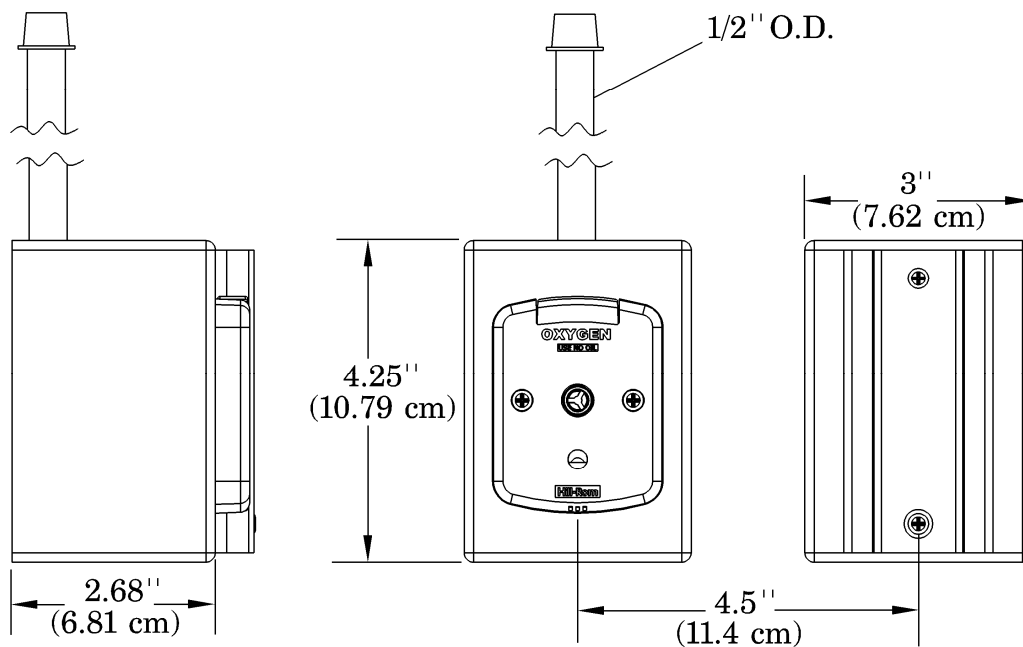
A DiamondCare® Console Outlet must be ordered separately for use with the Surface Mount Gas Outlet Enclosure.



Surface Mount Gas Outlet Enclosure

Surface Mount Slide Enclosure

Product Dimensions



t011a002

For more information, contact BeaconMedæS Customer Service at 1-888-4MEDGAS (463-3427).