

## DiamondCare® Medical Gas Outlet Conversion Kit

### SPECIFICATION

#### DiamondCare® Medical Gas Outlet Conversion Kit

The DiamondCare® Medical Gas Outlet Conversion Kits update existing Diamond®/DISS III wall and console rough-in assemblies to accept DiamondCare®, Diamond®, DISS Key-Style finish assemblies. The DiamondCare® finish assembly must be ordered separately.

Each conversion kit consists of a metal transition plate with attachment screws, and internal replacement rough-in components. Separate kits must be specified for recessed wall outlet and console outlet conversions. Kits should also be specified to convert pressure gases with secondary check or vacuum without secondary check.

#### Ordering Information

DiamondCare® Medical Gas Outlet Conversion Kits are ordered as individual assemblies. Each assembly is individually packaged.

Conversion Kit	Product Number
DiamondCare® Pressure Recessed Wall Outlet Conversion Kit	<input type="checkbox"/> 6803-7030-126
DiamondCare® Vacuum Recessed Wall Outlet Conversion Kit	<input type="checkbox"/> 6803-7030-128
DiamondCare® Pressure Console Wall Outlet Conversion Kit	<input type="checkbox"/> 6803-7030-127
DiamondCare® Vacuum Console Wall Outlet Conversion Kit	<input type="checkbox"/> 6803-7030-129

Figure 1: DiamondCare® Pressure Recessed Wall Outlet  
 Conversion Kit  
 P/N 6803-7030-126

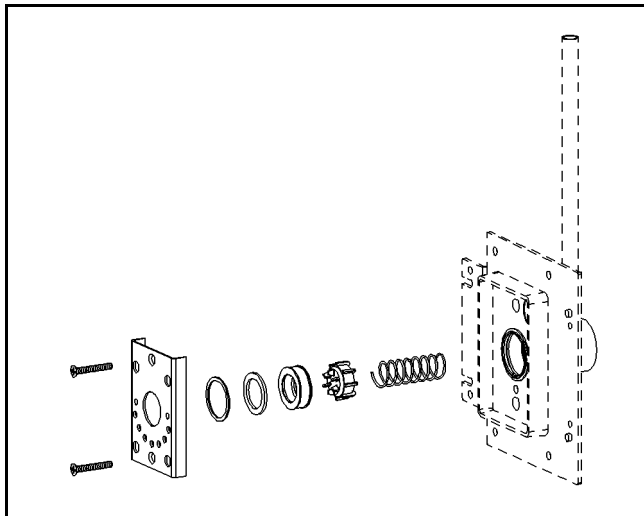


Figure 2: DiamondCare® Vacuum Recessed Wall Outlet  
 Conversion Kit  
 P/N 6803-7030-128

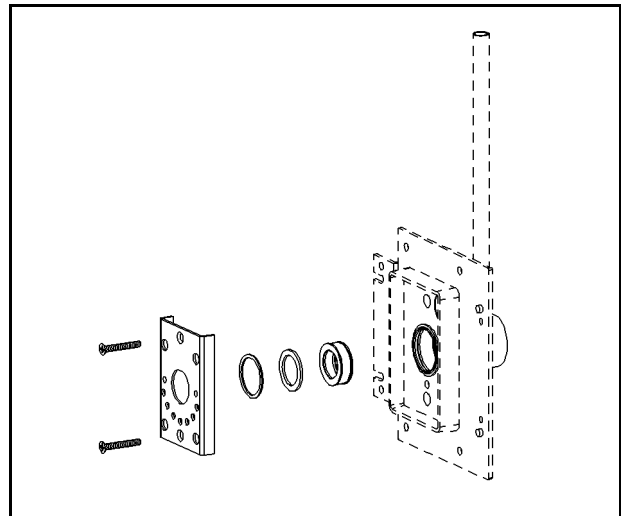




Figure 3: DiamondCare® Pressure Console Outlet  
Conversion Kit  
P/N 6803-7030-127

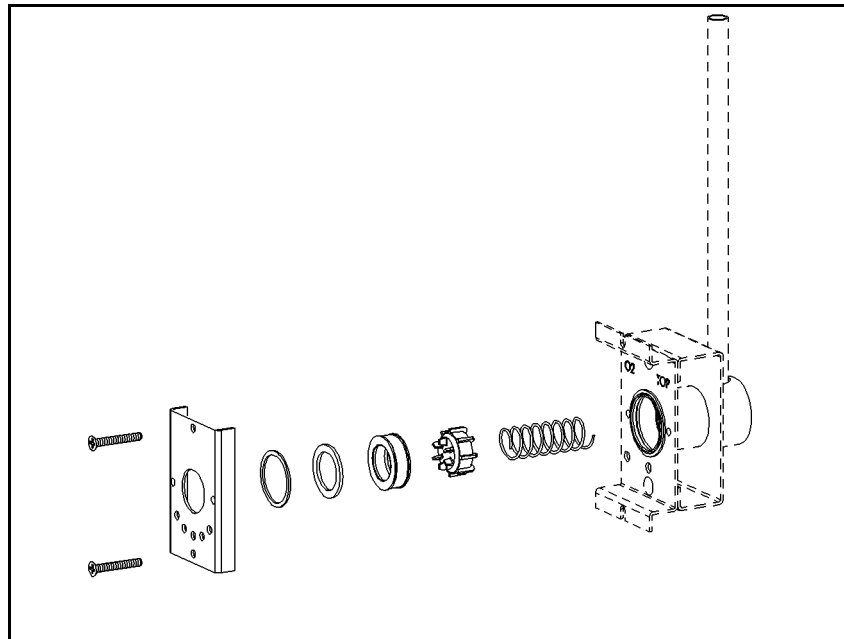


Figure 4: DiamondCare® Vacuum Console Outlet  
Conversion Kit  
P/N 6803-7030-129

