

DiamondCare® Console Outlet Geometric Quick-Connect Key Style

SPECIFICATION

Console Outlet

The DiamondCare® Console Outlet is available in a Geometric Quick-Connect Key Style for each of the medical gas services listed in the table on page 2. Each console outlet consists of a rough-in assembly and a frontbody assembly. An optional finish faceplate is available.

Rough-In Assembly

The rough-in assembly is available with a copper inlet tube (piped backbody) or a DISS male inlet fitting (DISS backbody) for connection to a gas delivery line. The piped rough-in assembly includes a 7" (18 cm) long, type K copper, gas inlet tube for brazing to the gas delivery line. This inlet tube rotates 360°, which allows the rough-in assembly to adapt to the location of the gas line. Both the piped and DISS rough-in assemblies consist of a steel backplate with a non-removable, positive, pin-keying arrangement for specific gas service. The specific gas service is stamped into the front of the rough-in assembly. Both types of rough-in assemblies include a fully serviceable secondary check (for pressurized gases) to help prevent gas flow when the frontbody is removed for maintenance and service. Vacuum and WAGD services do not have secondary check valves, according to NFPA 99 standards.

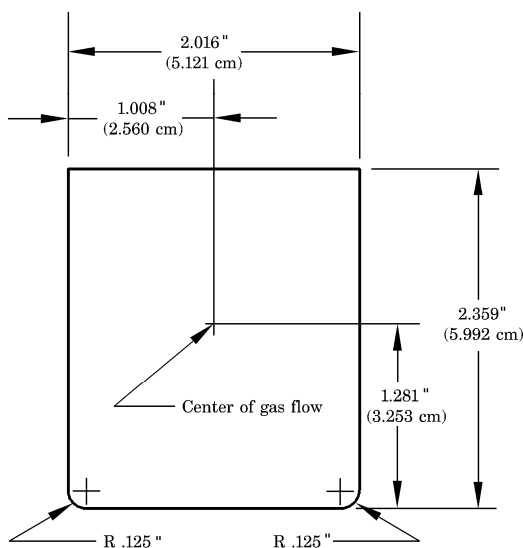
Frontbody Assembly

The console frontbody consists of an inseparable, keying disc assembly and detachable, barrel assembly (available as a pre-assembled serviceable part), which contains the primary check valve (except for WAGD services). The keying disc assembly includes a gas-specific, positive, pin-keying device, is color-coded, and labeled with the name of the gas service. The keying disc assembly also includes a top-mounted, downward activated, adapter release button. The barrel assembly includes a plastic piston and brass, primary check valve, which engage and seal when a hose adapter or patient treatment device is removed from the outlet.

Features

- Unique, twist-lock barrel cartridge design (patent pending) permits quick replacement of the primary check valve without special tools (not available in WAGD).
- Keying discs and labels are gas-specific and color-coded.
- Outlets are listed by Underwriters Laboratory® and CSA®, and manufactured in accordance with applicable NFPA 99, CGA, and CSA® standards.
- All outlets are cleaned for oxygen service, pressure-tested, and capped prior to shipping.

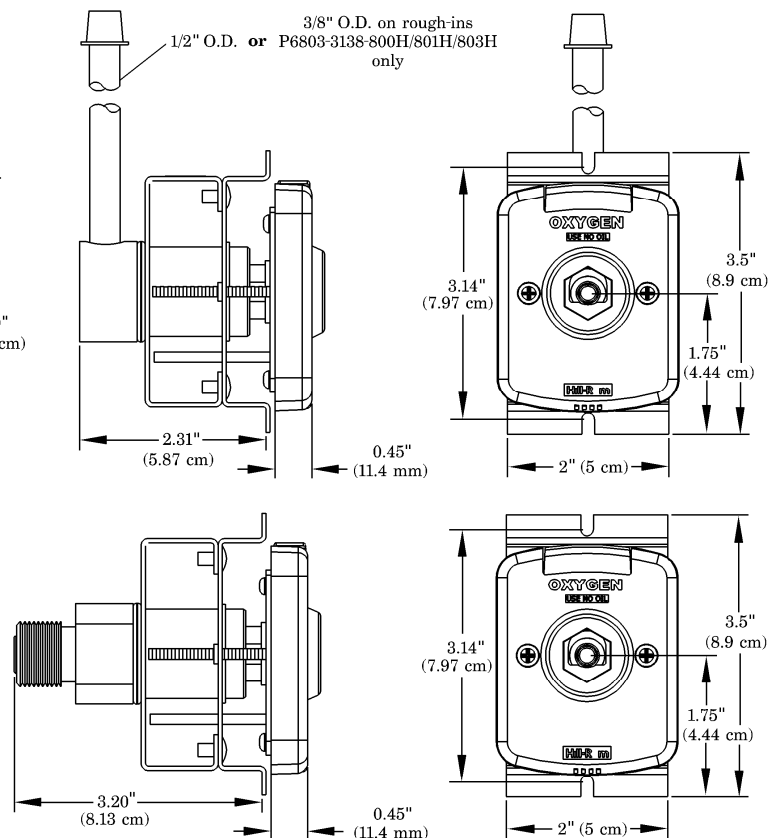
Product Dimensions



Panel cut-out template

NOTE:

DiamondCare® Console Outlets accommodate up to 0.5" (12.7m) fascia thickness.

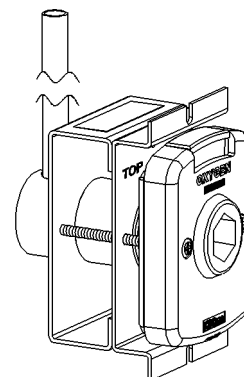


t008c002

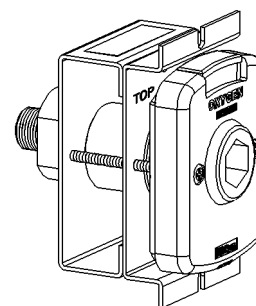
Ordering Information

You can order a DiamondCare® Console Outlet as a complete assembly (rough-in and frontbody), or as individual assemblies. Each rough-in and frontbody assembly is individually packaged.

Gas Service ⁽¹⁾	Complete Assembly	Geometric Key Style Frontbody Only	Piped Console Rough-in Only
O ₂	<input type="checkbox"/> 6803-8112-200	<input type="checkbox"/> 6803-8112-800	<input type="checkbox"/> 6803-8138-800H
N ₂ O	<input type="checkbox"/> 6803-8112-201	<input type="checkbox"/> 6803-8112-801	<input type="checkbox"/> 6803-8138-801H
Vacuum	<input type="checkbox"/> 6803-8112-202	<input type="checkbox"/> 6803-8112-802	<input type="checkbox"/> 6803-8138-802
Air	<input type="checkbox"/> 6803-8112-203	<input type="checkbox"/> 6803-8112-803	<input type="checkbox"/> 6803-8138-803H
WAGD ⁽²⁾	<input type="checkbox"/> 6803-8112-206	<input type="checkbox"/> 6803-8112-806	<input type="checkbox"/> 6803-8138-806



Gas Service ⁽¹⁾	Complete Assembly	Geometric Key Style Frontbody Only	DISS Console Rough-in Only
O ₂	<input type="checkbox"/> 6803-8112-300	<input type="checkbox"/> 6803-8112-800	<input type="checkbox"/> 6803-8130-800
N ₂ O	<input type="checkbox"/> 6803-8112-301	<input type="checkbox"/> 6803-8112-801	<input type="checkbox"/> 6803-8130-801
Vacuum	<input type="checkbox"/> 6803-8112-302	<input type="checkbox"/> 6803-8112-802	<input type="checkbox"/> 6803-8130-802
Air	<input type="checkbox"/> 6803-8112-303	<input type="checkbox"/> 6803-8112-803	<input type="checkbox"/> 6803-8130-803
WAGD ⁽²⁾	<input type="checkbox"/> 6803-8112-306	<input type="checkbox"/> 6803-8112-806	<input type="checkbox"/> 6803-8130-806



- (1) ISO labeled confirmations are also available.
 (2) WAGD: Waste Anesthetic Gas Disposal (formerly Evacuation)

CO₂, N₂, and O₂/CO₂ services are available in DISS Key Style.
 For more information, contact BeaconMedæS Customer Service at 1-888-4MEDGAS (463-3427)